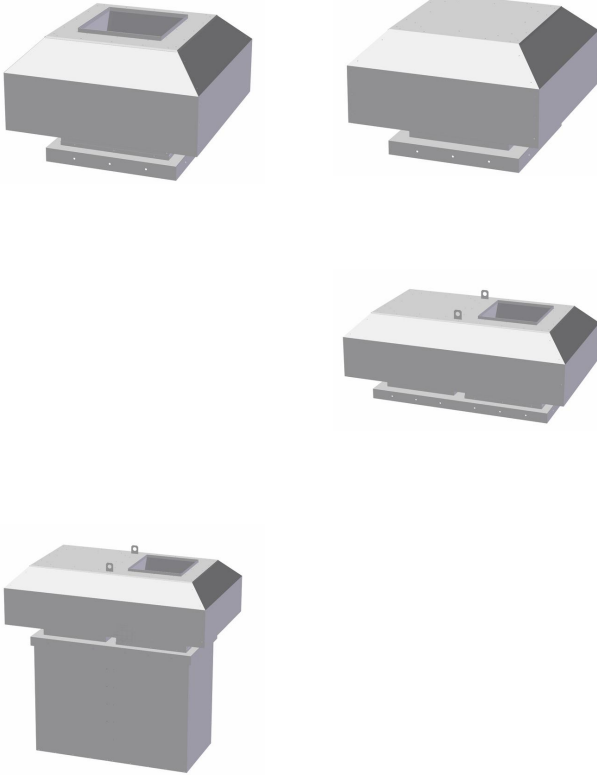


KAI · ITH · AKH



- Low-profile design
- Intake and exhaust in the same product (KAI)
- Connection duct as an added feature
- Now with a diagram to aid accurate sizing

APPLICATION ^

KAI is a rectangular roof hood that contains both an intake section and an exhaust section.

ITH is a rectangular intake hood

AKH is a rectangular exhaust hood

Design

KAI and ITH both have an aluminium insect net that prevents insects from entering the system, and a self-closing damper in the exhaust section. The internal drainage system inhibits water ingress. An insulated connection duct can be supplied as an added feature, which has an impermeable bottom plate that allows to connect any duct size. As a speciality product, KAI can be shipped with a double intake or exhaust hood. The foot plate and connection duct sizing can be customized upon request.

DESCRIPTION v

Materials and surfaces

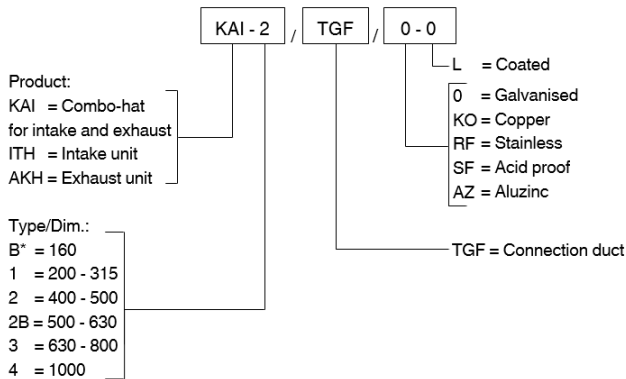
KAI, ITH og AKH are all manufactured in galvanised steel. The dampers in KAI and AKH are made out of aluminum. The products can be produced in other materials or be coated upon request. The connection ducts are produced in galvanised steel and insulated using mineral wool with glass fibre papers.

INSTALLATION v

Mounting instructions are displayed in figure 5 and 6. The roof unit and the connection duct are mounted together with the supplied screws.

TECHNICAL INFORMATION

Order code, KAI, ITH og AKH



Example:
KAI-2/ TGF /0-0

Explanation:
KAI combo-hat, dimension: 2 for duct size Ø400 - Ø500.
Related connection duct (TGF) is shipped unmounted.

KAI, ITH, AKH	
Type	[m ³ /h]
B*	600
1	2800
2	4600
2B	9000
3	13900
4	22700

TROX RUS



127495, Moscow,
163A Dmitrovskoe hwy, bld.2
Tel.: +7 495 221-5161

Online-Services

- › [TROX Academy](#)

- › [Online fault report](#)

- › [Catalogue Download](#)

- › [BIM](#)

Service-Hotlines

Sales
+7 495 221-51-61, ext. 1
[Contact](#)

Technical support
+7 495 221-51-61, ext. 2
[Contact](#)

Warehouse
+7 495 221-51-61, ext. 159
[Contact](#)

TROX IN SOCIAL WEB
