



AF-0-A/825x225

TYPE AF

VENTILATION GRILLES, MADE OF ALUMINIUM, WITH FIXED LONGITUDINAL BLADES, FOR FLOOR INSTALLATION – ALSO FOR HORIZONTAL RUNS

Single ventilation grilles and horizontal run sections with special profiled blades

- Nominal sizes 225 × 75 – 1225 × 425 mm and horizontal run sections
- Volume flow rate range 10 – 1235 l/s or 36 – 4446 m³/h
- Grille face made of aluminium with anodised finish
- Front border suitable for floor installation without an installation subframe
- Removable grille core with special spring clip fixing

Optional equipment and accessories

- Grille face in RAL CLASSIC colours
- Attachments for volume flow rate balancing and air direction control

Application



Application

- Ventilation grille of Type AF as supply air or extract air variant for comfort zones and industrial zones
- Directed supply air discharge for mixed flow ventilation
- Blades for straight (0°) or angled (15°) air discharge to meet different local requirements
- For variable and constant volume flows
- For supply air to room air temperature differences from –12 to +4 K
- Preferably for floor installation

Special characteristics

- Blades for straight (0°) or angled (15°) air discharge to meet different local requirements
- Spring clip fixing

Nominal sizes

Single grille

- Nominal length: 225, 325, 425, 525, 625, 825, 1025, 1225 mm
- Nominal height: 75, 125, 225, 325, 425, 525 mm

Horizontal run section

- Nominal length of end section: 1010, 1190, 1370, 1550, 1730, 1910 mm
- Nominal length of middle section: 2000 mm
- Nominal height: 75, 125, 225, 325 mm

Description



Variants

- AF: Single grille
- E-AF, M-AF: Horizontal run section

Blade construction style

- 0: 0° discharge
- 15: 15° discharge

Parts and characteristics

- Front border
- Fixed longitudinal blades
- Factory fitted perimeter seal
- Centre mullion for nominal sizes over 625 mm

Attachments

- AG, AS, D, DG: For volume flow rate balancing and for air direction control

Construction features

- Transverse bars for clip-fixing the grille (bars snap into clips)
- Blades for straight (0°) or angled (15°) air discharge

Materials and surfaces

- Border and blades made of aluminium
- Border and blades anodised, E6-C-0, natural colour
- P1: Border and blades powder-coated, RAL CLASSIC colour

Standards and guidelines

- Sound power level of the air-regenerated noise measured according to EN ISO 5135

Maintenance

- Maintenance-free as construction and materials are not subject to wear
- Inspection and cleaning to VDI 6022

TECHNICAL INFORMATION

Technical data, Quick sizing, Specification text, Order code



Nominal sizes	225 × 75 to 1225 × 425 mm
Horizontal run section	H: 75, 125, 225, 325 mm
Minimum volume flow rate	10 – 410 l/s or 36 – 1476 m ³ /h
Maximum volume flow rate, with L _{WA} max. 40 dB(A) without attachments	55 – 1235 l/s or 198 – 4446 m ³ /h
Supply air to room air temperature difference	–12 to +4 K

Volumen flow rates for single grille for supply air.

Geometric free area

H	L [mm]							
	225	325	425	525	625	825	1025	1225
H	A _{geo}							
mm	m ²							
75	0.006	0.009	0.011	0.014	0.017	0.022	0.028	0.033
125	0.016	0.024	0.032	0.039	0.047	0.063	0.078	0.094
225		0.054	0.072	0.090	0.108	0.143	0.179	0.214
325			0.113	0.140	0.168	0.224	0.279	0.335
425					0.229	0.304	0.380	0.455

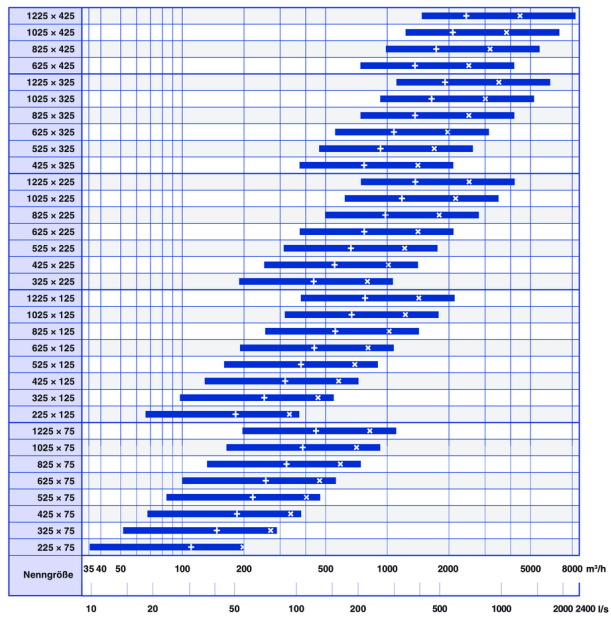
Effective air discharge area (supply air)

H	L [mm]							
	225	325	425	525	625	825	1025	1225
H	A _{eff}							
mm	m ²							
75	0.006	0.009	0.011	0.014	0.017	0.022	0.028	0.034
125	0.011	0.017	0.022	0.028	0.034	0.044	0.055	0.066
225		0.034	0.044	0.055	0.066	0.087	0.108	0.129
325			0.066	0.081	0.096	0.129	0.169	0.193
425					0.129	0.169	0.214	0.256

Effective area of extract air grille

H	L [mm]							
	225	325	425	525	625	825	1025	1225
H	A _{eff}							
mm	m ²							
75	0.004	0.006	0.009	0.011	0.013	0.017	0.021	0.026
125	0.009	0.013	0.017	0.021	0.026	0.033	0.041	0.049
225		0.026	0.033	0.041	0.049	0.066	0.082	0.090
325			0.049	0.060	0.072	0.095	0.120	0.140
425					0.095	0.122	0.155	0.185

AF, volume flow rate ranges



× $L_{WA} = 40$ dB(A) with unrestricted airflow + $L_{WA} = 40$ dB(A) with airflow restricted by 50 %

Ventilation grilles, rectangular, made of aluminium, for supply and extract air. Preferably for floor installation.

Ready-to-install component which consists of the installation subframe and fixed longitudinal blades.

Spring clip fixing for installation into an installation subframe.

Sound power level of the air-regenerated noise measured according to EN ISO 5135.

Special characteristics

- Blades for straight (0°) or angled (15°) air discharge to meet different local requirements
- Spring clip fixing

Materials and surfaces

- Border and blades made of aluminium
- Border and blades anodised, E6-C-0, natural colour
- P1: Border and blades powder-coated, RAL CLASSIC colour

Technical data

- Nominal sizes: 225 × 75 to 1225 × 325 mm
- Horizontal run section, height: 75 – 325 mm
- Minimum volume flow rate (supply air): 10 – 410 l/s or 36 – 1476 m³/h
- Maximum volume flow rate (supply air), at L_{WA} max. 40 dB(A) without attachments: 55 – 1235 l/s or 198 – 4446 m³/h
- Supply air to room air temperature difference: –12 to +4 K

Sizing data

- V _____ [m³/h]
- Δp_t _____ [Pa]

Air-regenerated noise

- L_{WA} _____ [dB(A)]

This specification text describes the general properties of the product. Texts for variants can be generated with our Easy Product Finder design programme.

Order example: AF-15-AG/825×225

Blade construction style	15°
Attachments	Damper unit, opposed action blades
Nominal size	825 × 225 mm
Exposed surface	Anodised, E6-C-0, natural colour

Order example: E-AF-0/1310×225

Section	End section
Blade construction style	0°
Attachments	None
Nominal size	1310 × 225 mm
Exposed surface	Anodised, E6-C-0, natural colour

AF – 0 – AG / 825x225 / P1 – RAL ...



1 Type

AF Single grille

2 Blade construction style

0 0° blades (straight)
15 15° blades (angled)

3 Attachments

A Without (grille face only)
AG Damper unit, opposed action blades
D Air direction control, blades installed at 90° to the front blades, independently adjustable
DG D combined with AG

4 Nominal size [mm]

L × H

5 Exposed surface

No entry: anodised, E6-C-0, natural colour
P1 Powder-coated, specify RAL CLASSIC colour

Gloss level
RAL 9010 50 %
RAL 9006 30 %
All other RAL colours 70 %

E – AF – 15 – AG / 950x225 / P1 – RAL ...



1 Serie

AF Gitterband

2 Teilstück

E Endstück
EL Endstück Links Bauformlamelle 15
ER Endstück Rechts Bauformlamelle 15
M Mittelstück

3 Bauform Lamellen

0 Lamellen 0° (Gerade)
15 Lamellen 15° (Schräg)

4 Anbauteile

A Ohne (Nur Frontgitter)
AG Drosselement, Lamellen gegenläufig gekoppelt
D Strahlenkung, Lamellen um 90° gedreht zu Frontlamellen, separat einstellbar
DG D kombiniert mit AG

5 Nenngröße

E (Endstück) × H
M (Mittelstück) × H

6 Oberfläche Sichtseite

Keine Eintragung: Eloxiert, E6-C-0, naturfarben
P1 Pulverbeschichtet, RAL Classic Farbton angeben

Glanzgrad
RAL 9010 50 %
RAL 9006 30 %
Alle anderen RAL-Farben 70 %

ES-AF – 15 – A – 1 / 225



1 Type

ES-AF 90° corner section

4 Airflow direction

Only for 15° blades

1 Outward

2 Inward

2 Blade construction style

0 0° blades (straight)

15 15° blades (angled)

5 Nominal size [mm]

Nominal height H

75

125

225

325

3 Attachments

A Without (grille face only)

Dimensions and weight, Product details



The weight table shows the available nominal sizes

AF, single grille

H	L [mm]							
	225	325	425	525	625	825	1025	1225
H	m							
mm	kg							
75	0.8	1.1	1.4	1.7	2.0	2.6	3.2	3.8
125	1.1	1.5	1.9	2.3	2.7	3.4	4.2	5.0
225		2.2	2.8	3.4	4.0	5.1	6.3	7.5
325			3.7	4.5	5.3	6.9	8.4	10.0
425					6.6	8.6	10.5	12.5

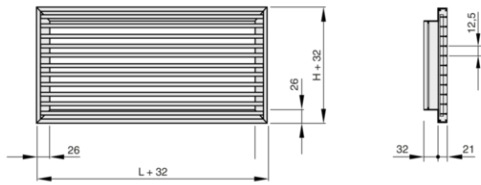
Weights apply to ventilation grilles without attachments

AF, Horizontal run section

Section	L [mm]	H [mm]			
	2000	75	125	225	325
M	2000	6.4	8.4	12.6	16.8
E	950	3.0	4.0	6.0	8.0
	1010	3.2	4.2	6.4	8.5
E	1070	3.4	4.5	6.7	9.0
	1130	3.6	4.7	7.1	9.5
E	1190	3.8	5.0	7.5	10.0
	1250	4.0	5.3	7.9	10.5
E	1310	4.2	5.5	8.3	11.0
	1370	4.4	5.8	8.6	11.5
E	1430	4.6	6.0	9.0	12.0
	1490	4.8	6.3	9.4	12.5
E	1550	5.0	6.5	9.8	13.0
	1610	5.2	6.8	10.1	13.5
E	1670	5.3	7.0	10.5	14.0
	1730	5.5	7.3	10.9	14.5
E	1790	5.7	7.5	11.3	15.0
	1850	5.9	7.8	11.7	15.5
E	1910	6.1	8.0	12.0	16.0
	1970	6.3	8.3	12.4	16.5

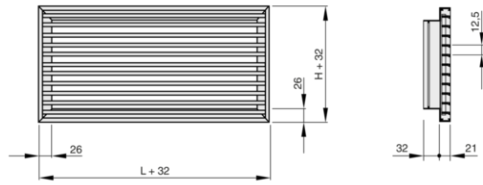
Weights apply to sections without attachments

AF0



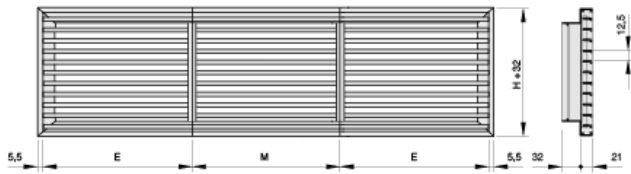
L Nominal length Centre mullion if L > 625 mm
H Nominal height

AF-15



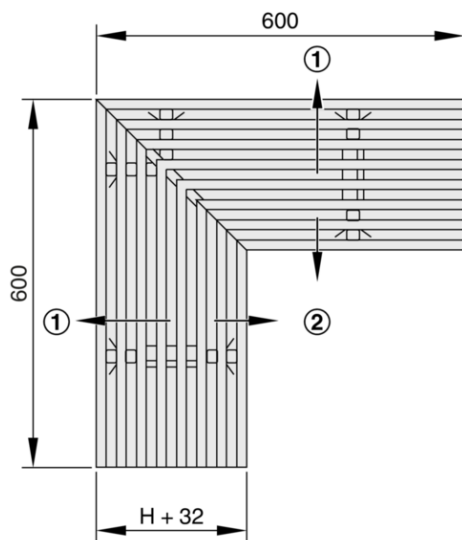
L Nominal length Centre mullion if $L > 625$ mm
 H Nominal height

AF, Horizontal run section



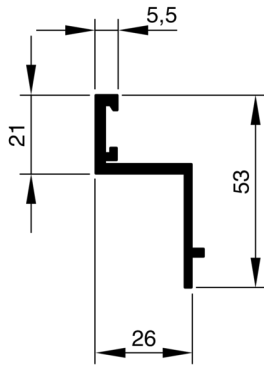
E End section
 M Middle section
 H Nominal height

90° corner section



Only AF-15, discharge angle less than 15°
 ① Outward
 ② Inward

Front border, 26 mm



Installation examples, Installation details, Commissioning, Basic information and nomenclature

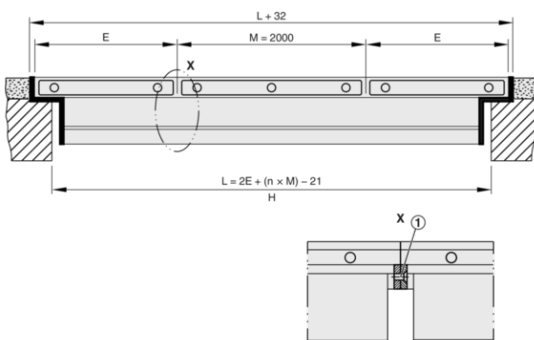


Installation and commissioning

- Preferably for floor installation
- Installation subframe to be mortared in with fixing tabs

These are only schematic diagrams to illustrate installation details.

AF, horizontal run sections with butt joint



① Joined grille faces, screw fixed

Volume flow rate balancing

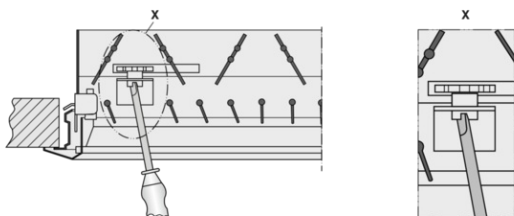
When several ventilation grilles are installed on the same duct, it may be necessary to balance the volume flow rates.

- AG: Damper unit with opposed action blades, adjustable, secured with a locking screw
- AS: Damper unit with hit and miss damper, adjustable, secured with a locking screw

Air pattern

- Adjustable blades: Set the air control blades individually or together and depending on the local conditions
- D, DG: Air control blades, fitted at 90° to the front blades, can be adapted to the local conditions

Volume flow rate balancing -*G



Attachments -AG, -DG and Types AGW, DGW

Principal dimensions

L [mm]

Nominal length of the ventilation grille

H [mm]

Nominal height of the ventilation grille

m [kg]

Weight

Nomenclature

L_{WA} [dB(A)]

Sound power level of the air-regenerated noise

V [m³/h] and [l/s]

Volume flow rate

Δp_t [Pa]

Total differential pressure

l_s [m]

Distance from single grille or horizontal run section (throw distance)

TROX RUS



127495, Moscow,
163A Dmitrovskoe hwy, bld.2
Tel.: +7 495 221-5161

Online-Services

- › [TROX Academy](#)

- › [Online fault report](#)

- › [Catalogue Download](#)

- › [BIM](#)

Service-Hotlines

Sales
+7 495 221-51-61, ext. 1
[Contact](#)

Technical support
+7 495 221-51-61, ext. 2
[Contact](#)

Warehouse
+7 495 221-51-61, ext. 159
[Contact](#)

TROX IN SOCIAL WEB
